

中國端子電業股份有限公司
CTE TECH CORP.

COUTOMER: Beltrona electronic

MODEL NO: 4C12030

DESCRIPTION: 3Amp Charger

PART NO: _____

OUR REV.NO: _____

DATE: 2010/11/10

APPROVED SIGNATURES

--

Index

(1) Electrical Specification _____ 1.

(2) Technical Drawing _____ 2.

(3) Safe Codes:

UL : UL 2601 _____ 3.

TUV : EN 60950-1 _____ 4.

FCC : CISPR22 _____ 5.

Australia : AS/NZS3548 _____ 6.

VCCI : E900144 _____ 7.

CB : IEC60950 _____ 8.

EMC : EN50081-1/EN50014-2 _____ 9.

(1) Electrical Specification

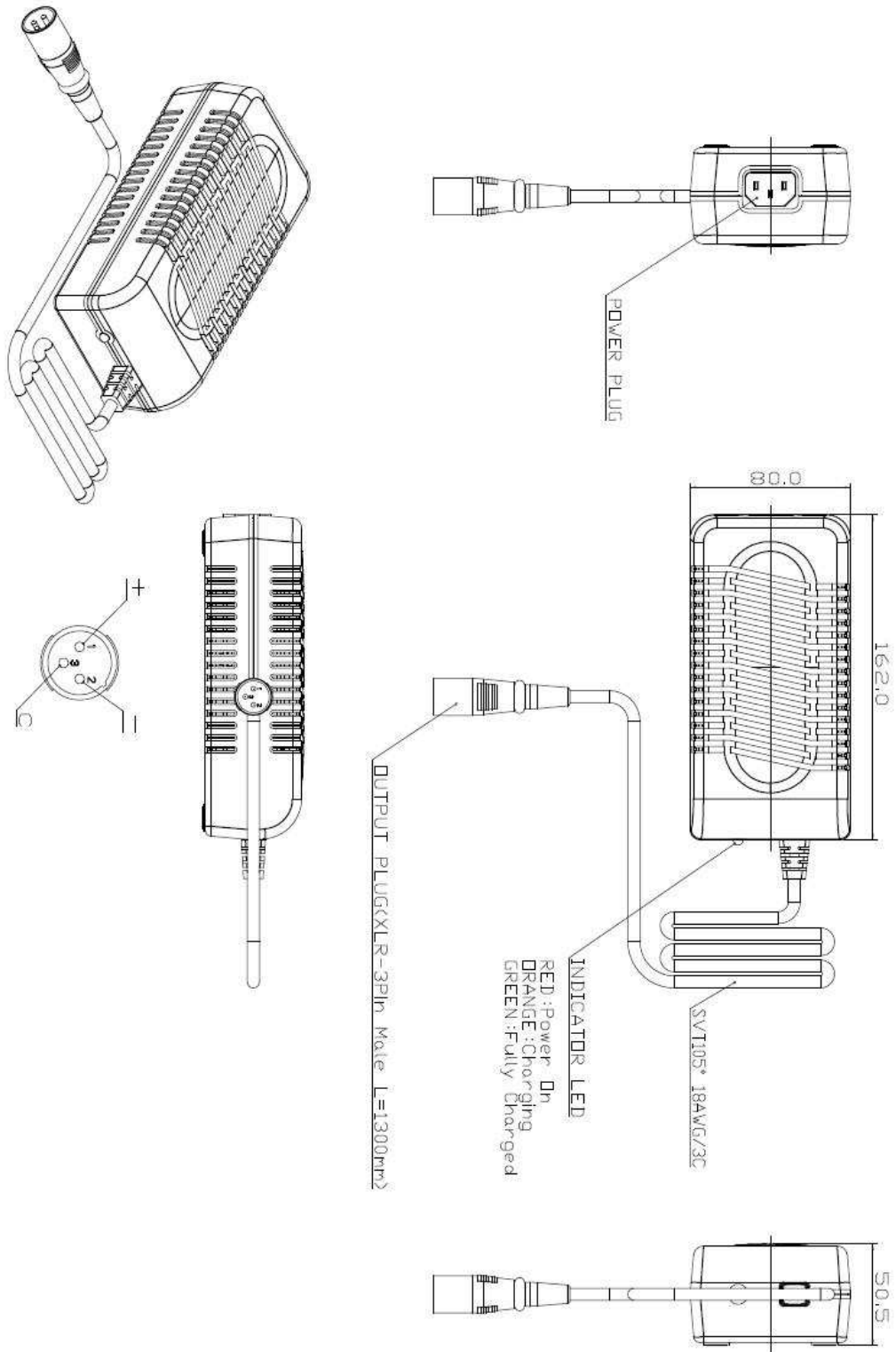
Item	Battery Charger (Switching Mode)
Model	4C12030
Output Current(DC)	3A
Charging Voltage(DC)	14.5 ± 0.5V
Float Charging V.(DC)	13.8V
Input Current(AC)	1.2A max.
Input Voltage(AC)	100 ~ 240 V 50/60Hz
Efficiency	AC-DC 80%
Temperature	0°C ~ 40°C
Performance	Switching Mode
Charging Method	Pulse Mode Constant Current , Two Stage Constant Voltage
Battery Application	12V Lead Acid Batteries
Output Detection	1.Short Circuit Protection 2.Reverse Power Protection
Operating Humidity	20% ~ 85 %
Measurement	L 165mm×W 80mm×H 50mm
Weight	550 g
Color	Black

品 名	電子交換式充電器
型 號	4C12030
輸出電流(DC)	3A
充電電壓(DC)	14.5 ± 0.5V
浮充電壓(DC)	13.8V
輸入電流(AC)	1.2A max.
輸入電壓(AC)	100 ~ 240 V 50/60Hz
效 率	AC-DC 80%
操作溫度	0°C ~ 40°C
轉換方式	電子交換式〔 SWITCHING MODE 〕
充電方式	脈衝式定電流，二段式定電壓
使用電池	12V 鉛酸電池
輸出保護	1.短路保護 2.逆接保護
操作環境濕度	20% ~ 85 %
外觀尺寸	長 165mm×寬 80mm×高 50mm
重 量	550 g
顏 色	黑色

(2) Technical Drawing

適用範圍：A0, A1, A2, A3, A4 及其縮小版

工程圖面



修改項目與尺寸公差		SCALE	QTY	WEIGHT	MODEL NO.
基本尺寸	公差	--	--		CKR228
Φ	H10/k9				
Φ	H7/g6				
Φ	H9/d9				
GENERAL TOLERANCES (±) ANGLES		MATERIAL		UNIT	FINISH
GRADE	A B C			MM	NAME
GRADE 4	0.1 0.15 0.2				NPMH Slow Charger
OVER 4 UNDER 15	0.15 0.2 0.3	DESIGNED BY	THIRD APPROVED	ANGLE	DWG NO.
OVER 15 UNDER 30	0.2 0.3 0.4	CHECKED BY			4C12030
OVER 30 UNDER 75	0.3 0.5 0.8				PART NO.
OVER 75	0.5 0.8 1.2				

表號：SF41N-008/A3 格式/版本：|

中國電子產業股份有限公司

UL CERTIFICATE

'01 10/08 11:11 886 2 2891 7644

UL Int. Services

P.01

UL International Services Ltd. – Taiwan Branch



A Subsidiary of
Underwriters Laboratories Inc.

Tel: 886-2-2896-7790 Fax: 886-2-2891-7644

Date - October 8, 2001

FILE NO.: E217744
PROJECT NO.: 01NK91466

Company: CTE Corp.
c/o: Best Testing Lab.
Fax No.: (02)2695-6736
Attention: Mr. Joe Lin
Subject: Notice of Completion of Engineering Investigation
Reference: Switching Power Supplies, Models 4C06010, 4C06020, 4C12010, 4C12020, 4C12030, 4C24020

Dear Mr. Lin:

This is to replace the previous fax dated June 12, 2001.

This letter is sent on behalf of Underwriters Laboratories Inc. pursuant to the Corporate Services Agreement between UL International Services Ltd.- Taiwan Branch and UL.

We have completed our engineering investigation under the above project number and find the products to be eligible for Follow-Up Service subject to the applicable Follow-Up Service Agreement. Records covering the products are now being prepared and will be sent to you soon.

Within Canada, there are federal and local statutes and regulations, such as the Consumer Packaging and Labeling Act, requiring the use of bilingual product markings on products intended for the Canadian market. It is the responsibility of the manufacturer (or distributor) to comply with this law. The UL Follow-Up Service Procedures will only include the English version of the markings.

Please note that the authorization to use the marking specified by Underwriters Laboratories Inc. on the products evaluated under the above referenced project is not extended unless and until an initial production inspection (IPI) is conducted and your manufacturer has demonstrated to the satisfaction of our Field Representative, by means of production samples, that the products are being produced in accordance with the Underwriters Laboratories Inc.'s requirements. A copy of temporary Procedure pages is being delivered to our Field Representative for the IPI, please direct your manufacturer to contact our local inspection center for an initial production inspection on the products. The time necessary to conduct this inspection will be arranged in the best way possible to accommodate your production schedule.

Very truly yours,

Frank Liu/AC

Frank Liu (Ext. 170)
Conformity Assessment Services, 3000ATPI

CC: CTE Corp.
Attn: Mr. Peter Chen
Fax: (02)2451-5195

THIS MESSAGE AND ANY DOCUMENTS ACCOMPANYING IT IS INTENDED ONLY FOR THE USE OF THE INDIVIDUAL OR ENTITY TO WHICH IT IS ADDRESSED AND MAY CONTAIN INFORMATION THAT IS PRIVILEGED, CONFIDENTIAL, AND EXEMPT FROM DISCLOSURE UNDER APPLICABLE LAW. If the reader of this message is not the intended recipient, or the employee or agent responsible for delivering the message to the intended recipient, you are hereby notified that any dissemination, distribution, or copying of this communication is strictly prohibited. If you have received the communication in error, please notify us immediately by return fax and advise whether you have destroyed the original message or are returning it to us through the mail.

IF YOU EXPERIENCE A PROBLEM RECEIVING THIS TRANSMISSION, PLEASE CALL.

TUV CERTIFICATE

Zertifikat

Certificate



Zertifikat Nr. *Certificate No.*
S 50134866

Blatt *Page*
0002

Ihr Zeichen <i>Client Reference</i>	Unser Zeichen <i>Our Reference</i>	Längstens gültig bis <i>Latest expiration date</i> (day/mo/yr)
8578000366/LD	ZTW1-HWH- 10000589 003	30.07.2013

Genehmigungsinhaber *License Holder*
CTE TECH CORP.
No. 1-7, Gongjian Rd.
Cidu District, Keelung City 20647
Taiwan

Fertigungsstätte *Manufacturing Plant*
CTE TECH CORP.
No. 1-7, Gongjian Rd.
Cidu District, Keelung City 20647
Taiwan

Prüfzeichen *Test Mark*



Geprüft nach *Tested acc. to*
EN 60950-1:2001+A11
ZEK 01.1-08/06.08

Zertifiziertes Produkt (Geräteidentifikation)
Certified Product (Product Identification)

Lizenzentgelte - Einheit
License Fee - Unit

Netzgerät (AC Adapter)

wie Blatt (as page) 01

Ergänzung
(Addition)

Bezeichnung :1) 4C12030
(Type Designation) 2) 4C24020

1
1

Ausgang :1) DC 12V/3A, 14V/3A
(Output) 2) DC 24V/2A, 28V/2A

2



ANLAGE (Appendix): 1

Dem Zertifikat liegt unsere Prüf- und Zertifizierungsordnung zugrunde.
Produkt und Fertigungsstätte erfüllen § 4 (1) bzw. (2) und § 7(1) des Geräte- und Produktsicherheitsgesetzes.
*This certificate is based on our Testing and Certification Regulation.
Product and production fulfill par 4 Art. 1 or Art. 2 and Par 7 Art. 1 of the German Equipment and Product Safety Law.*

Zertifizierungsstelle

TÜV Rheinland Product Safety GmbH, Am Grauen Stein, D-51105 Köln
Tel.: (+49/221)8 06 - 13 71 e-mail: cert-validity@de.tuv.com
Fax: (+49/221)8 06 - 39 35 http://www.tuv.com/safety

Dipl.-Ing. F. Stoelzel

Ausstellungsdatum *Date of Issue* : 31.07.2008 (day/mo/yr)

FCC CERTIFICATE

PEP Testing Laboratory

DECLARATION OF CONFORMITY CERTIFICATE

Responsible Party : CTE CORPORATION

Address : NO. 3, KUNG-CHIEN NORTH RD., KEELUNG, TAIWAN,
R. O. C.

Contact Person : PETER CHEN / MARKETING SPECIALIST

Equipment : Battery Charger

Model No.: 4C24020, 4C12020, 4C12030

Traceability: FCC Part 15 & Part 2; Docket 95-19

Limitation: CISPR 22 CLASS B

Date of issued: APR. 03, 2001

Report No.: E900144

The device bearing the trade name and model specified above has been shown to comply with the applicable technical standards as indicated in the measurement report and was tested in accordance with the measurement procedures specified in ANSI C63.4-1992. (See Test Report if any modifications were made for compliance.)

PEP certifies that no party to this application has been denied the FCC benefits pursuant to Section 5301 of the Anti-Drug Abuse Act of 1988, 21 U.S.C. 853(a).

Peter Kao

Peter Kao/NVLAP Signatory



AUSTRALIA CERTIFICATE

PEP Testing Laboratory

CERTIFICATE OF COMPLIANCE

APPLICANT : CTE CORPORATION

ADDRESS : NO. 3, KUNG-CHIEN NORTH RD., KEELUNG,
TAIWAN, R. O. C.

PRODUCT NAME : Battery Charger

MODEL NO. : 4C24020, 4C12020, 4C12030

REPORT NO. : E900144

THIS IS TO CERTIFY, ON THE BASIS OF THE TESTS UNDERTAKEN,
THE SUBMITTED SAMPLES OF THE ABOVE ITEM IS CONSIDERED TO
COMPLY WITH:

AS/NZS 3548 : 1995 CLASS B

SIGNED FOR AND ON BEHALF OF
PEP TESTING LABORATORY

Peter Kao

Peter Kao
President, NVLAP Signatory



NVLAP[®]

NVLAP LAB CODE : 200097-0
(CISPR22, FCC15, AS/NZS 3548)

Date : APR. 03, 2001

VCCI CERTIFICATE

PEP Testing Laboratory

CERTIFICATION

WE HEREBY VERIFY THAT:

The Equipment Under Test (EUT) listed below has completed RFI testing by PEP Testing Laboratory and the interference emissions can pass **VCCI Class B ITE** limitations .

The test report shall not be reproduced except in full, without the written approval of the laboratory.

The estimate uncertainty of the test result is about $\pm 3\text{dB}$. The test result is only effect for the sample as below.

APPLICANT : CTE CORPORATION
EQUIPMENT : Battery Charger
MODEL NO. : 4C24020, 4C12020, 4C12030
REPORT NO. : E900144

Peter Kao

Peter Kao / President



Date : APR. 03, 2001

CB CERTIFICATE

INTERNATIONAL ELECTROTECHNICAL
COMMISSION (IEC)
COMMISSION ELECTROTECHNIQUE
INTERNATIONALE (CEI)

Ref. Certif. No.

JPTUV-002885

IEC SYSTEM FOR CONFORMITY TESTING
AND CERTIFICATION OF ELECTRICAL
EQUIPMENT (IECEE)
CB SCHEME

SYSTÈME CEI D'ESSAIS DE CONFORMITÉ
ET DE CERTIFICATION DES EQUIPEMENTS
ELECTRIQUE (IECEE)
METHODE OC

CB TEST CERTIFICATE CERTIFICAT D'ESSAI OC

Product

Produit

Name and address of the applicant

Nom et adresse du demandeur

Name and address of the manufacturer

Nom et adresse du fabricant

Name and address of the factory

Nom et adresse de l'usine

Rating and principal characteristics

Valeurs nominales et caractéristiques principales

Trade mark (if any)

Marque de fabrique (si elle existe)

Model/type Ref.

Ref. de type

Additional information (if necessary)

Information complémentaire (si nécessaire)

A sample of the product was tested and found
to be in conformity with

*Un échantillon de ce produit a été essayé et a été
considéré conforme à la*

as shown in the Test Report Ref. No.

which form part of this certificate

comme indiqué dans le Rapport d'essais numéro

de référence

qui constitue une partie de ce certificat

This CB Test Certificate is issued by the National Certification Body

Ce Certificat d'essai OC est établi par l'Organisme National de Certification

Power Adapter

CTE Corporation
No. 3, Kung-Chien North Rd.
KEELUNG 206, TAIWAN, R.O.C.

CTE Corporation
No. 3, Kung-Chien North Rd.
KEELUNG 206, TAIWAN, R.O.C.

CTE Corporation
No. 3, Kung-Chien North Rd.
KEELUNG 206, TAIWAN, R.O.C.

Input rating : AC 100-240V, 50/60Hz, 1.2A

Output rating : refer to the test report

Protection class : I

Trade mark of CTE

4C12020, 4C12030, 4C24020

For differences between the models, refer to the test
report.

PUBLICATION

EDITION

IEC 60950:1991+A1+A2+A3+A4
inclusive CENELEC Common Modifications
National differences see test report

12000002 001



TÜV Rheinland Japan Ltd.
3-19-5 Shin-Yokohama
222-0033 Japan

Date 11.05.2001

Signature

Dipl.-Ing. M. Lechtermann

EMC CERTIFICATE

VERIFICATION of conformity with European EMC Directive

No. E900144

Document holder: CTE CORPORATION
Type of equipment: Battery Charger
Type designation: 4C24020 , 4C12020 , 4C12030

A sample of the equipment has been tested for CE-marking according to the EMC Directive, 89/336/EEC.

Standard(s) used for showing compliance with the essential requirements of the directive:

Standard(s):	Performance Criterion
EN 50081-1 : 1992	Class B
EN 55014-1: 1997	
EN 61000-3-2: 1995	
EN 61000-3-3: 1995	
EN 50014-2 : 1997	B
IEC 1000-4-2: 1995	B
IEC 1000-4-4: 1995	B
IEC 1000-4-5: 1995	B
IEC 1000-4-6: 1996	A
IEC 1000-4-11: 1994	C

The referred test report(s) show that the product fulfills the requirements in the EMC Directive for CE marking. On this basis, together with the manufacturer's own documented production control, the manufacturer (or his European authorized representative) can in his CE Declaration of Conformity verify compliance with the EMC Directive.

**Signed for and on behalf of
PEP Testing Laboratory**



M. Y. Tsui

Date: APR. 03, 2001

M. Y. Tsui / President